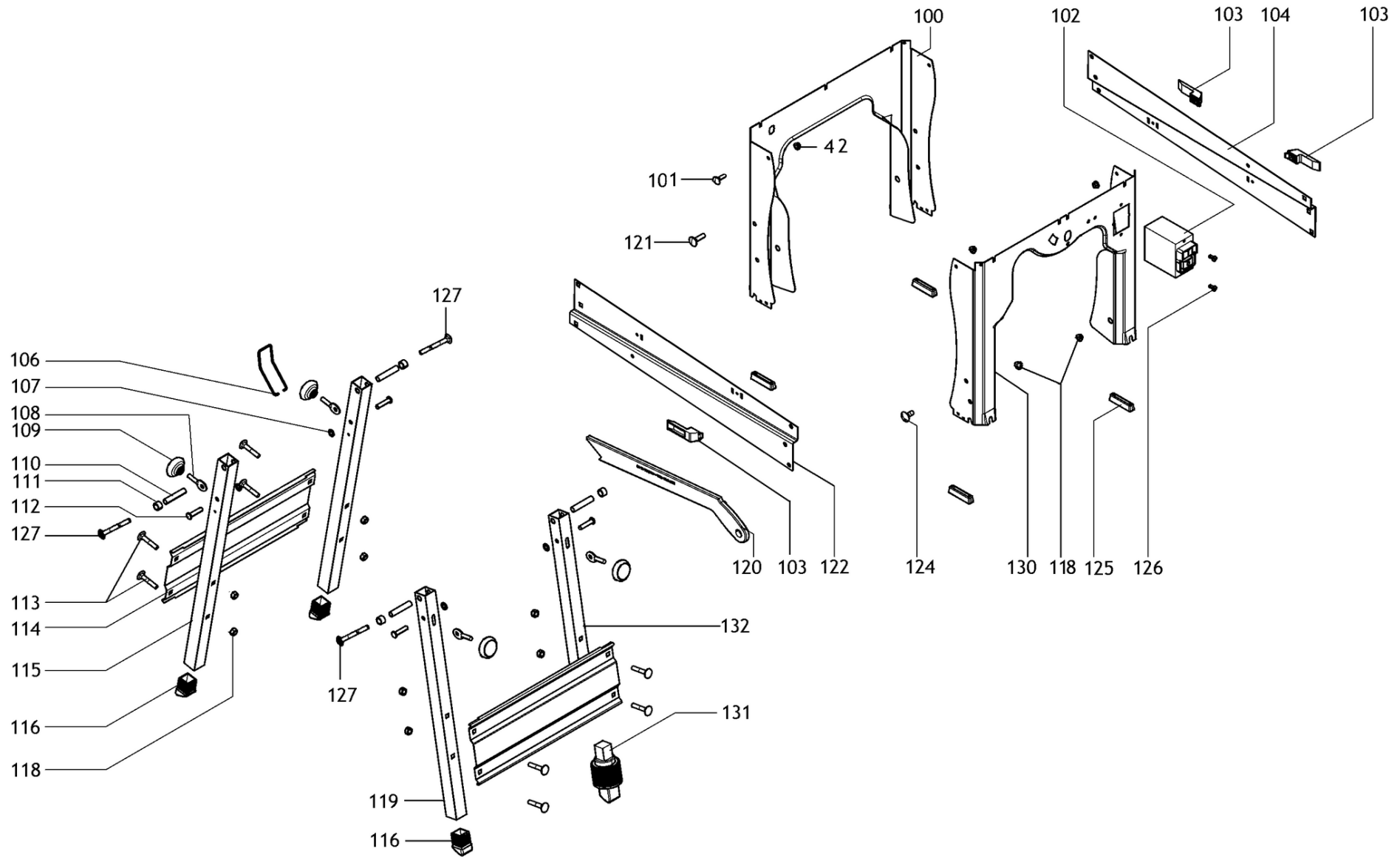
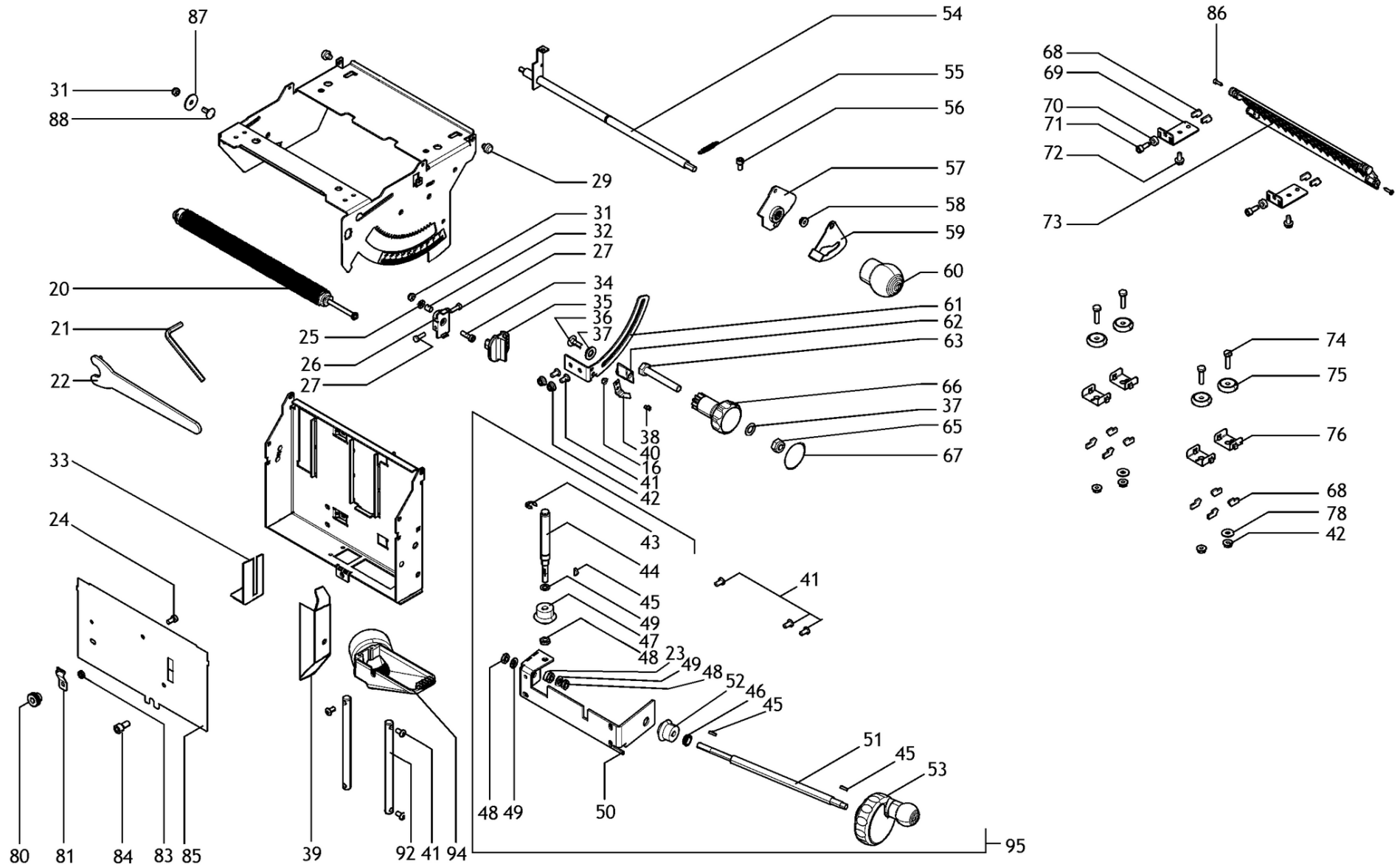
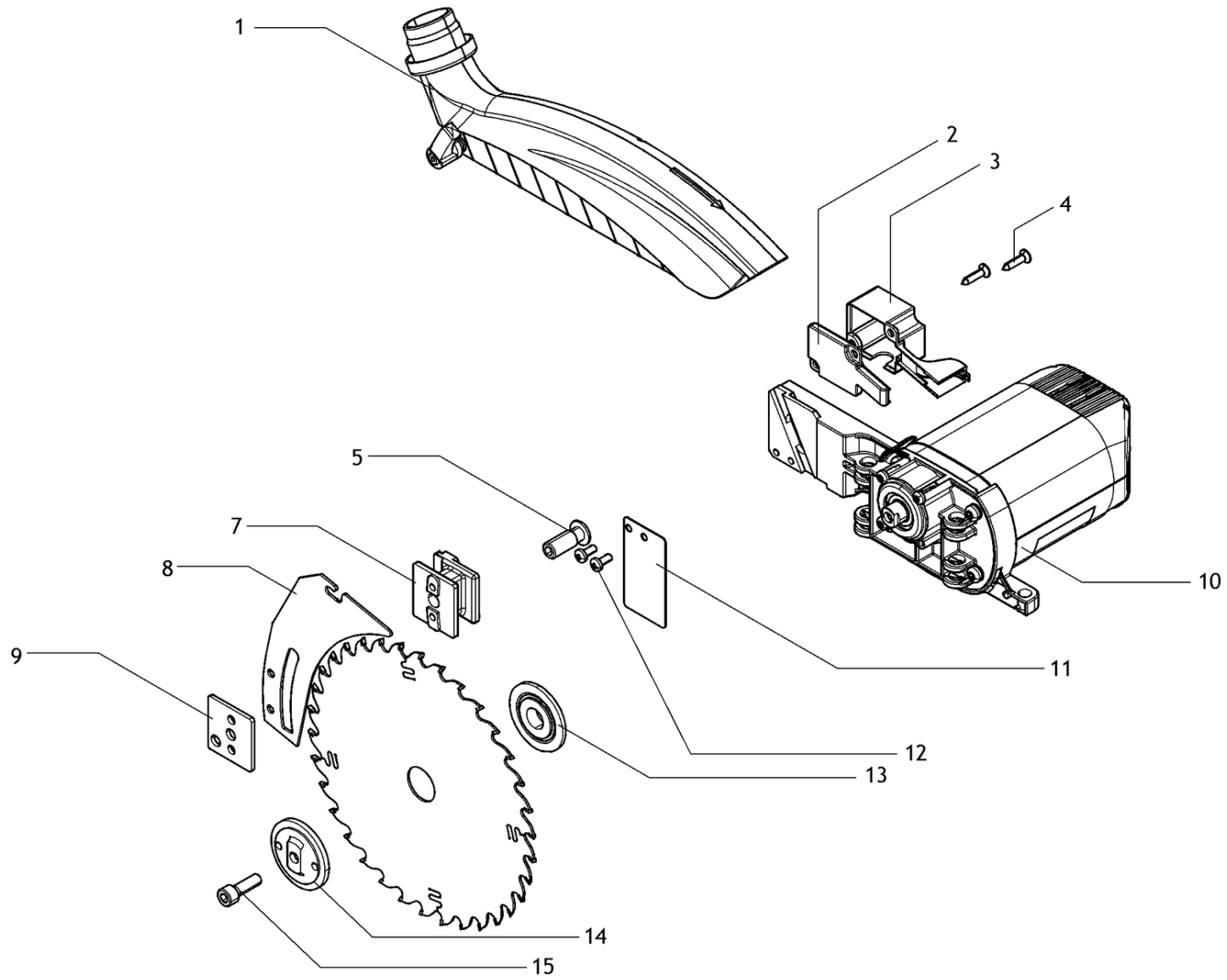


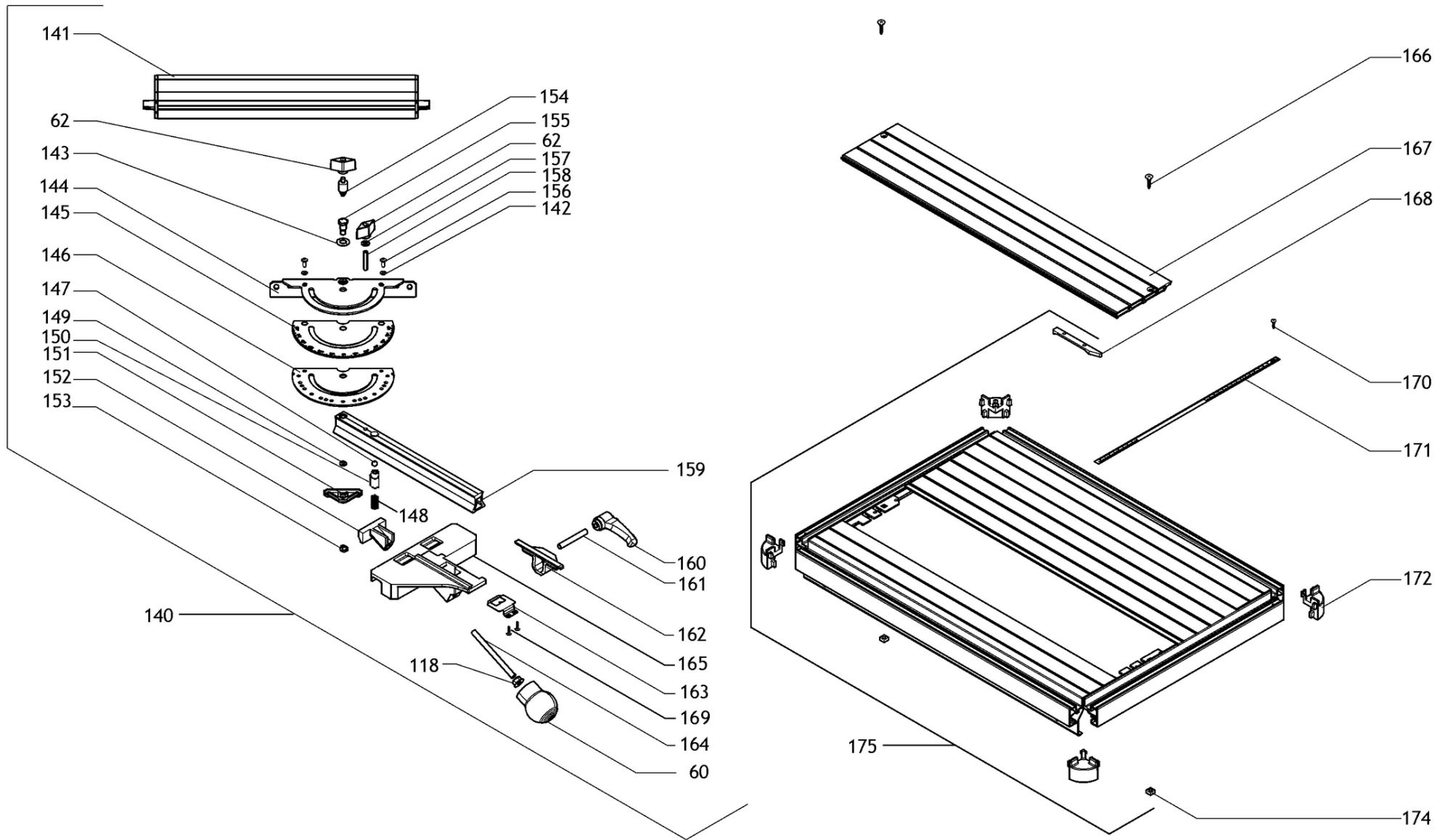
| | Litzenfarben | Colour of strands | Couleur des cordons |
|------|--------------|-------------------|---------------------|
| BK | schwarz | black | noir |
| WH | weiß | white | blanc |
| BU | blau | blue | bleu |
| YE | gelb | yellow | jaune |
| RD | rot | red | rouge |
| TR | transparent | transparent | transparent |
| BN | braun | brown | brun |
| GY | grau | grey | gris |
| GNYE | grün-gelb | green-yellow | vert-jaune |
| BKWH | schwarz-weiß | black-white | noir-blanc |
| GN | grün | green | vert |
| OG | orange | orange | orange |
| VT | violett | violet | violet |
| TQ | türkis | turquoise | turquoise |

| | Bedeutung der Kurzzeichen | Meaning of the symbols | Interprétation des symboles |
|---|---------------------------|-------------------------------------|-----------------------------|
| B | Stecker | plug | fiche |
| C | Kondensator | condenser | condensateur |
| D | Funktionsdrossel | interference suppression inductance | inductance d'antiparasitage |
| E | Elektronik-Baustein | electronic unit | unité électronique |
| I | Induktionsspule | induction coil | bobine d'inductance |
| K | Klemme | terminal | borne |
| L | Licht | light | lumière |
| M | Motor | motor | moteur |
| O | Überlastschutz | overload cut-out | déclencheur de surintensité |
| R | Drehrichtungsumschalter | reversing switch | commutateur droite-gauche |
| S | Schalter | switch | interrupteur |
| U | Umschalter | change-over switch | commutateur |
| X | Elektronik-Element | electronic element | élément électronique |







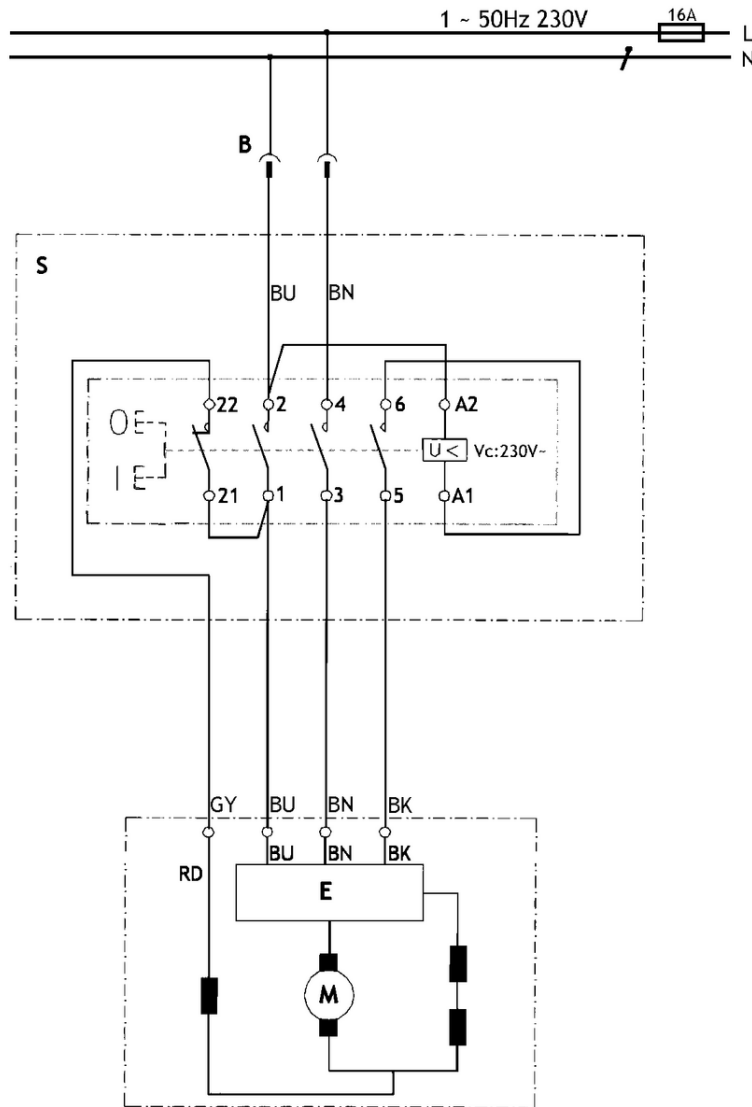


| Pozice | Množství | Objednací číslo | Popis | PG |
|--------|----------|-----------------|---------------------------------------|----|
| 1 | 1 | 316052430 | ochranný držák kompl. | 23 |
| 2 | 1 | 1331700076 | Klemmkastendeckel Motor AM21 | 12 |
| 3 | 1 | 1331700068 | Klemmkasten Motor AM21 | 15 |
| 4 | 2 | 6123612815 | LINSENSCHRAUBE M.INNEN-6KT | 11 |
| 5 | 1 | 1485221570 | POSITIONSSCHRAUBE | 15 |
| 6 | 1 | 7123148635 | Stahlkugel | 11 |
| 7 | 1 | 1380728555 | SPALTKEILHALTER UK290 | 26 |
| 8 | 1 | 1482221587 | Spaltkeil | 26 |
| 9 | 1 | 1482221595 | Spaltkeilplatte | 12 |
| 10 | 1 | 8012728930 | E-Motor | 63 |
| 11 | 1 | 1382725634 | ABDECKUNG | 19 |
| 12 | 2 | 6132175169 | sroub se zapustnou hlavou | 11 |
| 13 | 1 | 1485221618 | Saegeblattflansch | 23 |
| 14 | 1 | 1482221900 | Saegeblattkonterflansch | 17 |
| 15 | 1 | 6121000839 | sroub s valcovou hlavou | 18 |
| 16 | 1 | 6209620098 | FLANSCHMUTTER M4 | 11 |
| 17 | 1 | 7052222014 | FEDERBAND | 13 |
| 20 | 1 | 1010728530 | STOSSDAEMPFER | 30 |
| 21 | 1 | 9102689833 | STIFTSCHLUESSEL M.KREUZSCHLITZ | 16 |
| 22 | 1 | 344160840 | klic | 17 |
| 23 | 1 | 1485728542 | Huelse | 13 |
| 24 | 1 | 141113290 | sestihranny sroub | 11 |
| 25 | 1 | 141155660 | talirova pruzina | 11 |
| 26 | 1 | 1381726114 | Schwenkbegrenzung | 11 |
| 27 | 2 | 141122680 | 6-ti hranny plechovy sroub | 11 |
| 29 | 2 | 2391203906 | Einsteckpuffer | 11 |
| 31 | 3 | 141130650 | 6-ti hranna matka se stahovacim dilem | 12 |
| 32 | 1 | 6442059304 | DISTANZHUELSE | 11 |
| 33 | 1 | 1382729397 | STAUBLECH | 19 |
| 34 | 1 | 141110270 | sestihranny sroub | 11 |
| 35 | 1 | 1381726777 | SCHWENKBEGRENZUNGSDECKEL UK290 | 13 |
| 36 | 1 | 6110000608 | FLACHRUNDSCHRAUBE | 11 |
| 37 | 2 | 141150140 | podložka | 11 |
| 38 | 1 | 6123002014 | sroub | 11 |
| 39 | 1 | 1382729540 | SPANLEITBLECH | 23 |
| 41 | 8 | 6123666494 | sroub | 11 |
| 42 | 10 | 6209114230 | matice s prirubou | 11 |
| 43 | 1 | 6404091580 | SICHERUNGSSCHEIBE | 11 |
| 44 | 1 | 1485728429 | Gewindestange | 27 |
| 45 | 3 | 6720008511 | SCHEIBENFEDER | 11 |
| 46 | 1 | 7637727561 | GLEITBUCHSE | 18 |

| Pozice | Množství | Objednací číslo | Popis | PG |
|--------|----------|-----------------|---|----|
| 47 | 1 | 1380613626 | KEGELRAD | 16 |
| 48 | 3 | 6205726061 | SECHSKANTMUTTER FLACH | 11 |
| 49 | 3 | 6300686603 | SCHEIBE | 11 |
| 50 | 1 | 1382725677 | drzak pro pripevneni motoru | 27 |
| 51 | 0,001 | 1485725683 | hridel | 26 |
| 52 | 1 | 1380613626 | KEGELRAD | 16 |
| 53 | 1 | 1010701704 | rucni kolo | 25 |
| 54 | 1 | 1485725900 | Zugstange | 25 |
| 55 | 1 | 7051074232 | Zugfeder | 12 |
| 56 | 1 | 6143075247 | sroub s valcovou hlavou s vnitrim sestí | 12 |
| 57 | 1 | 1381726939 | GLEITSTUECK | 13 |
| 58 | 4 | 6209110995 | matice s prirubou | 11 |
| 59 | 1 | 1482725925 | RIEGELPLATTE | 21 |
| 60 | 2 | 1388698264 | Kunststoffgriff rot | 17 |
| 61 | 1 | 1482725690 | upinaci plech uplny | 25 |
| 62 | 3 | 7005658068 | FLUEGELMUTTER | 13 |
| 63 | 1 | 6127729555 | Zylinderschraube m. I-6KT | 13 |
| 65 | 1 | 141132030 | sestihrana matice | 11 |
| 66 | 1 | 1381215330 | WINKELVERSTELLRAD | 15 |
| 67 | 1 | 1381212846 | DECKEL KUNSTSTOFFDREHGRIF | 11 |
| 68 | 12 | 9132726768 | FILZBUERSTE | 14 |
| 69 | 2 | 1010730488 | LAGERHALTER | 22 |
| 70 | 2 | 7100726097 | Rillenkugellager | 23 |
| 71 | 2 | 6127059193 | ZYLINDERSCHRAUBE M. I-6KT | 11 |
| 72 | 3 | 6143124744 | SECHSKANTSCHRAUBE | 11 |
| 73 | 1 | 1381726106 | Schwenklappe | 15 |
| 74 | 4 | 141110280 | sestihranny sroub | 11 |
| 75 | 4 | 7102726078 | Laufrolle | 25 |
| 76 | 4 | 1381726084 | ABSTREIFER | 22 |
| 78 | 6 | 141150130 | podlozka | 11 |
| 80 | 1 | 6241125058 | matice ryhovaciho kolecka | 12 |
| 81 | 1 | 7052078118 | KABELKLAMMER | 13 |
| 83 | 1 | 6205028046 | SECHSKANTMUTTER FLACH | 11 |
| 85 | 1 | 1382725839 | SAEGEGEHAEUSEDECKEL | 21 |
| 86 | 2 | 6174001900 | Senkblechschraube m.Krzs | 11 |
| 87 | 1 | 6305713714 | SCHEIBE | 11 |
| 88 | 1 | 6110000594 | FLACHRUNDSCHRAUBE | 11 |
| 92 | 2 | 1385221491 | voditko | 24 |
| 94 | 1 | 1381701324 | ABSAUGSTUTZEN UK333 | 19 |
| 95 | 1 | 1010729358 | HOEHENVERSTELLUNG | 46 |
| 100 | 1 | 1382725898 | RUECKWAND | 36 |

| | | | | |
|-----|----|------------|------------------------------------|----|
| 101 | 4 | 6143661561 | sroub s prirubou | 11 |
| 102 | 1 | 8133728920 | KSK-Schalter WN | 41 |
| 103 | 3 | 1381706881 | KABELHALTER UK290/333 | 11 |
| 106 | 1 | 1382726185 | SICHERUNGSBUEGEL UK290 | 18 |
| 107 | 4 | 7016056183 | Starlock ohne Kappe | 11 |
| 108 | 4 | 6141701671 | Augenschraube | 13 |
| 109 | 4 | 7000017730 | Sterngriffmutter | 12 |
| 110 | 4 | 1485700877 | Distanzhülse | 16 |
| 111 | 4 | 1485700850 | Hülse | 15 |
| 112 | 4 | 6632123360 | BOLZEN | 13 |
| 113 | 8 | 6110015990 | sroub s plochou kulatou hlavou | 11 |
| 114 | 2 | 1382726037 | TRAVERSE | 26 |
| 115 | 2 | 1383700848 | BEIN | 30 |
| 116 | 3 | 1381726173 | STANDFUSS | 14 |
| 118 | 12 | 6209110995 | matice s prirubou | 11 |
| 119 | 1 | 1383700821 | BEIN | 29 |
| 120 | 1 | 1394201630 | posuvna tyč | 19 |
| 121 | 2 | 6143726140 | Linsenflanschkopfschraube | 11 |
| 122 | 1 | 1382728455 | bocni plech pravy | 31 |
| 124 | 2 | 6143726132 | Linsenflanschkopfschraube | 11 |
| 125 | 4 | 7057706400 | GUMMIFUSS | 15 |
| 126 | 2 | 6186602763 | sroub do plechu s krizovym sroubem | 11 |
| 127 | 4 | 6143726159 | LINSENFLANSCHKOPFSCHRAUBE | 13 |
| 131 | 1 | 2010200787 | FUSSGRUPPE VERSTELLBAR | 25 |
| 132 | 1 | 1383700830 | BEIN | 30 |
| 140 | 1 | 1010727355 | Universalanschlag | 54 |
| 141 | 1 | 1010720490 | ANSCHLAGFUEHRUNG | 27 |
| 142 | 2 | 141150020 | podložka | 11 |
| 143 | 1 | 141150540 | talirova pruzina | 11 |
| 145 | 1 | 1142216716 | WINKELSKALA | 22 |
| 146 | 1 | 1482643350 | Justierblech Winkelanschlag | 30 |
| 147 | 1 | 7123148635 | Stahlkugel | 11 |
| 148 | 1 | 7051148694 | DRUCKFEDER | 11 |
| 149 | 1 | 2391202772 | Gleitfuss | 11 |
| 150 | 1 | 1485215979 | ARRETIERBOLZEN | 15 |
| 151 | 1 | 1381698285 | SPANNSTUECK EXZENTERKLEMMUNG UK333 | 12 |
| 152 | 1 | 1380215981 | STELLTEIL | 19 |
| 153 | 1 | 7016122305 | Starlock | 11 |
| 154 | 1 | 1485727325 | cep | 29 |
| 155 | 1 | 1485209480 | BUNDSCHRAUBE | 13 |
| 156 | 2 | 6175174166 | GEWINDESCHNEIDSCHRAUBE | 11 |
| 157 | 1 | 141150130 | podložka | 11 |

| | | | | |
|-----|---|------------|---------------------------------|----|
| 158 | 1 | 6161183502 | GEWINDESTIFT M.IS+KEGELK. | 11 |
| 159 | 1 | 1383221990 | Schwalbenschwanzfuehrung | 29 |
| 160 | 1 | 7006028653 | Klemmhebel | 19 |
| 161 | 1 | 6161029120 | GEWINDESTIFT M.IS+KEGELK. | 12 |
| 162 | 1 | 1380216031 | KLEMMKRALLE | 20 |
| 163 | 1 | 1482216010 | ZEIGER WINKELANSCHLAG | 12 |
| 164 | 1 | 6163198736 | GEWINDESTIFT M.IS+ZAPFEN | 15 |
| 165 | 1 | 1380701983 | Klemmkoerper UK333 | 35 |
| 166 | 2 | 6131714953 | SENKSCHRAUBE MIT KREUZSCHLITZ | 11 |
| 168 | 1 | 1381728443 | Endstueck | 14 |
| 169 | 2 | 6172028215 | sroub do plechu | 11 |
| 170 | 1 | 6172091014 | sroub do plechu | 11 |
| 171 | 1 | 1142725793 | SKALENBAND | 18 |
| 172 | 4 | 1381698293 | Eckstueck-Tischprofil UK290/333 | 14 |
| 174 | 2 | 6264714948 | KAFIGMUTTER | 12 |
| 175 | 1 | 1010725735 | Tisch Kpl. | 58 |



| | Litzenfarben | Colour of strands | Couleur des cordons |
|------|--------------|-------------------|---------------------|
| BK | schwarz | black | noir |
| WH | weiß | white | blanc |
| BU | blau | blue | bleu |
| YE | gelb | yellow | jaune |
| RD | rot | red | rouge |
| TR | transparent | transparent | transparent |
| BN | braun | brown | brun |
| GY | grau | grey | gris |
| GNYE | grün-gelb | green-yellow | vert-jaune |
| BKWH | schwarz-weiß | black-white | noir-blanc |
| GN | grün | green | vert |
| OG | orange | orange | orange |
| VT | violett | violet | violet |
| TQ | türkis | turquoise | turquoise |

| | Bedeutung der Kurzzeichen | Meaning of the symbols | Interprétation des symboles |
|---|---------------------------|-------------------------------------|-----------------------------|
| B | Stecker | plug | fiche |
| C | Kondensator | condenser | condensateur |
| D | Funktionsdrossel | interference suppression inductance | inductance d'antiparasitage |
| E | Elektronik-Baustein | electronic unit | unité électronique |
| I | Induktionsspule | induction coil | bobine d'inductance |
| K | Klemme | terminal | borne |
| L | Licht | light | lumière |
| M | Motor | motor | moteur |
| O | Überlastschutz | overload cut-out | déclencheur de surintensité |
| R | Drehrichtungsumschalter | reversing switch | commutateur droite-gauche |
| S | Schalter | switch | interrupteur |
| U | Umschalter | change-over switch | commutateur |
| X | Elektronik-Element | electronic element | élément électronique |